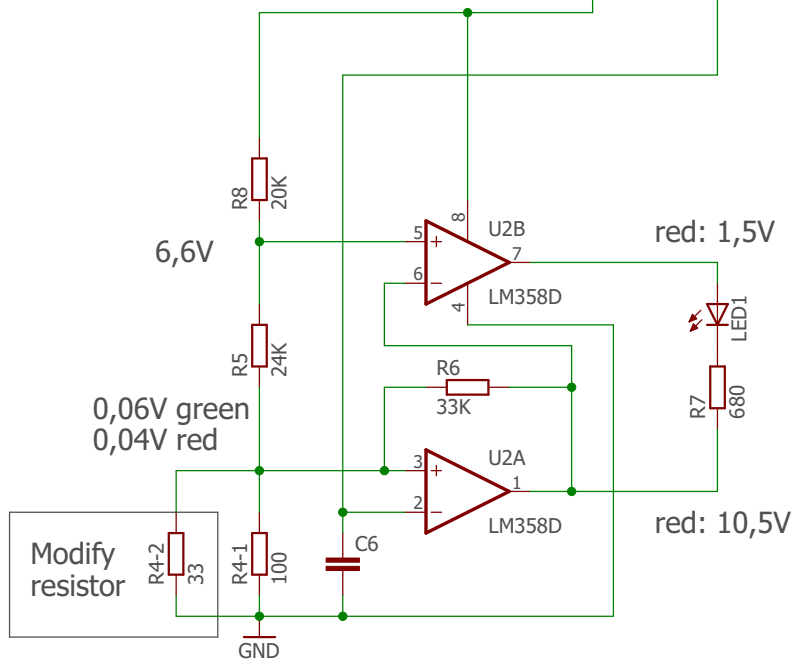


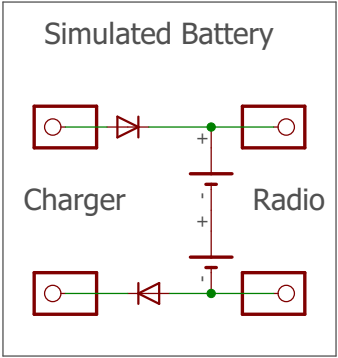
$$V_{out} = 1,235 * (1 + R1/R_{fb}) = 9,249V$$

$$I_{charge} = 0,155 / R_{cs} = 0,57A$$



LED, red+green
 Before modify:
 Red when >220mA
 Green when < 160mA
 After modify R4-2 = 33R:
 Red when > 55mA
 Green when < 50mA

Max battery voltage is 8,4V
 Change voltage to 9,10V
 $R1 = (V_{out} - 1,235) R_{fb} / 1,235$
 $= (9,1 - 1,235) 3082 / 1,235$
 $= 19627 \text{ ohm}$
 $R1-2 = 1,05\text{Mohm}$, select 1M0



TITLE: DM390_charger	
Document Number: TYT-368-CH	REV:
Date: 11-03-2018 18:05	Sheet: 1/1